

# MAIN STREET Downlight

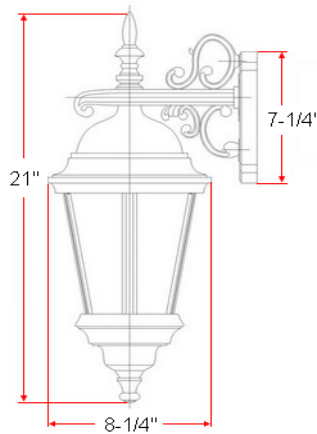


## Specifications

<b>Material Construction:</b>	Formed Steel
<b>Lens:</b>	Seedy glass
<b>Lamp Type &amp; Wattage:</b>	Three 60W, candelabra base incandescent lamps
<b>Mounting:</b>	Wall mounted
<b>Finish:</b>	Celtic Pewter
<b>Voltage:</b>	120V
<b>Weight:</b>	4.40 lbs



## Dimensions



## Warranty & Compliances

<b>Warranty</b>	10 Year Limited Warranty
<b>UL</b>	UL/cUL; Suitable for damp locations
<b>ADA</b>	N/A
<b>EnergyStar</b>	N/A



## Companion Fixtures

**Downlight** 510016

**Uplight** 510008

<b>Type:</b>
<b>Job:</b>
<b>Order Code:</b>
<b>Approvals:</b>