

IRONWOOD 3 LT Chandelier

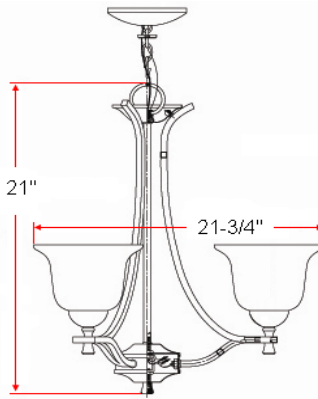


Specifications

| | |
|---------------------------------|---|
| Material Construction: | Formed Steel |
| Lens: | Snow glass |
| Lamp Type & Wattage: | Three 60W, medium base incandescent lamps |
| Mounting: | Ceiling mounted |
| Finish: | Statuary Bronze / Brushed Bronze |
| Voltage: | 120V |
| Weight: | 8.36 lbs |
| Companion Fixtures: | Chandeliers, wall/vanity lights, ceiling mounts, pendants |



Dimensions



Warranty & Compliances

| | |
|-------------------|-------------------------------------|
| Warranty | 10 Year Limited Warranty |
| UL | UL/cUL; Suitable for damp locations |
| ADA | N/A |
| EnergyStar | N/A |



Companion Fixtures

| | <i>Statuary Bronze</i> | <i>Brushed Bronze</i> |
|------------------------------|------------------------|-----------------------|
| 3 LT Chandelier | 509190 | 517757 |
| 1 LT Wall Sconce | 509232 | 517722 |
| 1 LT Wall Mount | 509281 | 517540 |
| 2 LT Wall Mount | 511774 | |
| 3 LT Vanity Light | 509240 | 517649 |
| 4 LT Vanity Light | 511782 | 517656 |
| 2 LT Semi Flush Mount | 509216 | 517631 |
| 2 LT Ceiling Mount | 509224 | 517532 |
| 5 LT Chandelier | 509182 | 517748 |
| 9 LT Chandelier | 512871 | 517755 |
| Mini Pendant | 509208 | 517730 |

Type:

Job:

Order Code:

Approvals:

Design House reserves the right to make changes in materials, specifications & models at any time. Design House also reserves the right to discontinue product without notice or obligation.