

# COACH Outdoor Lighting Collection

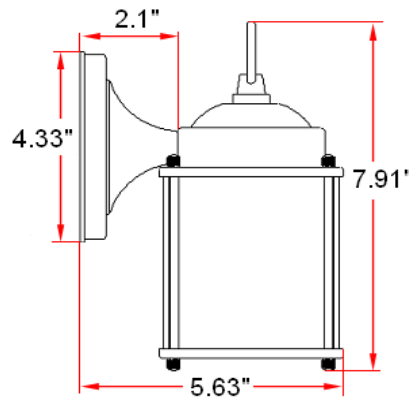


## Specifications

<b>Material Construction:</b>	Formed Steel
<b>Lens:</b>	Clear glass
<b>Lamp Type &amp; Wattage:</b>	One 60W, medium base incandescent lamp
<b>Mounting:</b>	Wall mounted
<b>Voltage:</b>	120V
<b>Weight:</b>	4.5 lbs



## Dimensions



## Warranty & Compliances

<b>Warranty</b>	10 Year Limited Warranty
<b>UL</b>	UL/cUL listed; Suitable for damp locations
<b>ADA</b>	N/A
<b>EnergyStar</b>	N/A



## Order Codes

<b>Satin Nickel (US15)</b>	507863
<b>Polished Brass(US3)</b>	502633
<b>Oil Rubbed Bronze (US10B)</b>	506576
<b>Black &amp; Polished Brass</b>	502658
<b>White &amp; Polished Brass</b>	502666



Type:

Job:

Order Code:

Approvals:

Design House reserves the right to make changes in materials, specifications & models at any time. Design House also reserves the right to discontinue product without notice or obligation.