

MILLBRIDGE (ORB) 2 LT Wall Mount

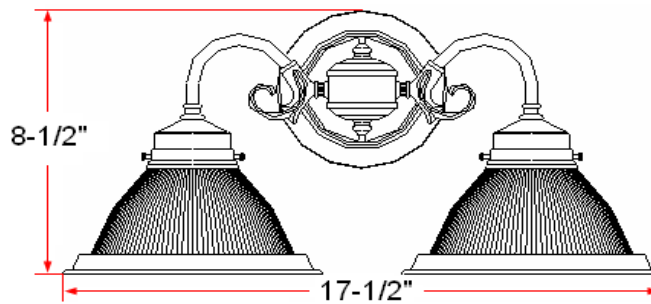


Specifications

| | |
|---------------------------------|---|
| Material Construction: | Formed Steel |
| Lens: | Frosted ribbed glass |
| Lamp Type & Wattage: | Two 60W, medium base incandescent lamps |
| Mounting: | Wall mounted; Suitable for up/down mounting |
| Finish: | Oil Rubbed Bronze (US10B) |
| Voltage: | 120V |
| Weight: | 3.5 lbs |
| Companion Fixtures: | Chandeliers, wall mounts, pendants & ceiling mounts |



Dimensions



Warranty & Compliances

| | |
|-------------------|--|
| Warranty | 10 Year Limited Warranty |
| UL | UL/cUL listed; Suitable for damp locations |
| ADA | N/A |
| EnergyStar | N/A |



Companion Fixtures

| | | |
|--|--------|--|
| 2 LT Wall Mount | 506733 | |
| 1 LT Wall Mount | 506758 | |
| 1 LT Ceiling Mount (7^{1/2}" x 5^{3/4}") | 504498 | |
| 1 LT Ceiling Mount (6" x 11^{3/8}") | 506717 | |
| 2 LT Ceiling Mount | 506709 | |
| 3 LT Chandelier | 504746 | |
| 5 LT Chandelier | 506683 | |
| Pendant | 506691 | |
| Mini Pendant | 504795 | |

Type:

Job:

Order Code:

Approvals:

Design House reserves the right to make changes in materials, specifications & models at any time. Design House also reserves the right to discontinue product without notice or obligation.