

MILLBRIDGE (ORB) Pendant

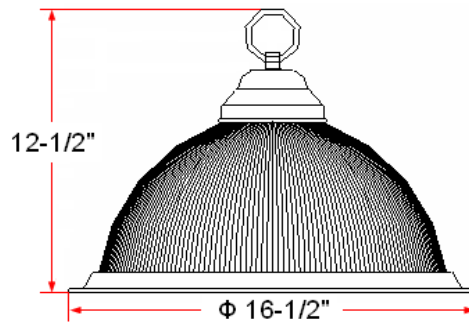


Specifications

Material Construction:	Formed Steel
Lens:	Frosted ribbed glass
Lamp Type & Wattage:	One 100W, medium base incandescent lamp
Mounting:	Ceiling mounted
Finish:	Oil Rubbed Bronze (US10B)
Voltage:	120V
Weight:	9.5 lbs
Companion Fixtures:	Chandeliers, wall mounts, pendants & ceiling mounts



Dimensions



Warranty & Compliances

Warranty	10 Year Limited Warranty
UL	UL/cUL listed; Suitable for dry locations
ADA	N/A
EnergyStar	N/A



Companion Fixtures

Pendant	506691	
1 LT Wall Mount	506758	
2 LT Wall Mount	506733	
1 LT Ceiling Mount (7^{1/2}" x 5^{3/4}")	504498	
1 LT Ceiling Mount (6" x 11^{3/8}")	506717	
2 LT Ceiling Mount	506709	
3 LT Chandelier	504746	
5 LT Chandelier	506683	
Mini Pendant	504795	

Type:

Job:

Order Code:

Approvals:

Design House reserves the right to make changes in materials, specifications & models at any time. Design House also reserves the right to discontinue product without notice or obligation.