

# MILLBRIDGE (ORB) 5 LT Chandelier

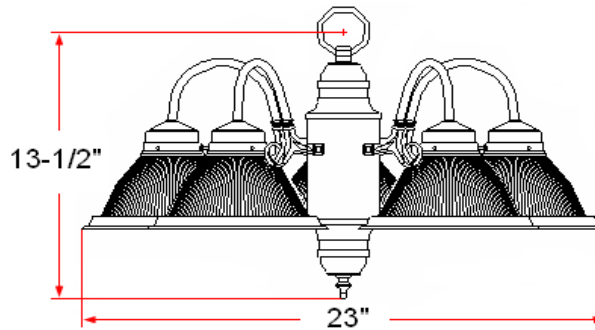


## Specifications

<b>Material Construction:</b>	Formed Steel
<b>Lens:</b>	Frosted ribbed glass
<b>Lamp Type &amp; Wattage:</b>	Five 60W, medium base incandescent lamps
<b>Mounting:</b>	Ceiling mounted
<b>Finish:</b>	Oil Rubbed Bronze (US10B)
<b>Voltage:</b>	120V
<b>Weight:</b>	9.3 lbs
<b>Companion Fixtures:</b>	Chandeliers, wall mounts, pendants & ceiling mounts



## Dimensions



## Warranty & Compliances

<b>Warranty</b>	10 Year Limited Warranty
<b>UL</b>	UL/cUL listed; Suitable for dry locations
<b>ADA</b>	N/A
<b>EnergyStar</b>	N/A



## Companion Fixtures

5 LT Chandelier	506683	
1 LT Wall Mount	506758	
2 LT Wall Mount	506733	
1 LT Ceiling Mount (7 <sup>1/2</sup> " x 5 <sup>3/4</sup> " )	504498	
1 LT Ceiling Mount (6" x 11 <sup>3/8</sup> " )	506717	
2 LT Ceiling Mount	506709	
3 LT Chandelier	504746	
Pendant	506691	
Mini Pendant	504795	

Type:

Job:

Order Code:

Approvals:

Design House reserves the right to make changes in materials, specifications & models at any time. Design House also reserves the right to discontinue product without notice or obligation.