

BRISTOL Island Light

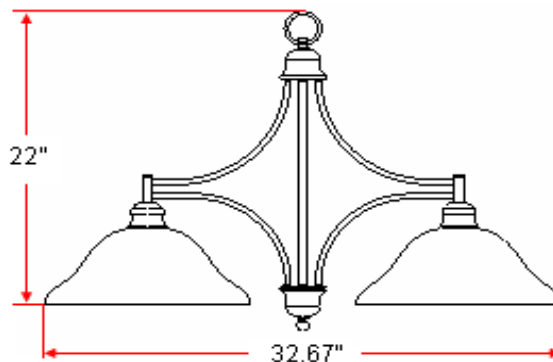


Specifications

Material Construction:	Formed Steel
Lens:	Tea speckled glass
Lamp Type & Wattage:	Two 60W, medium base incandescent lamps
Mounting:	Ceiling mounted
Finish:	Oil Rubbed Bronze (US10B)
Voltage:	120V
Weight:	12.5 lbs
Companion Fixtures:	Chandeliers, wall/vanity lights, ceiling mounts, pendants & island lights



Dimensions



Warranty & Compliances

Warranty	10 Year Limited Warranty
UL	UL/cUL
ADA	N/A
EnergyStar	N/A



Companion Fixtures

Island Light	504258	
1 LT Wall Mount	504415	
2 LT Wall Mount	504407	
3 LT Vanity Light	509042	
4 LT Vanity Light	511758	
2 LT Ceiling Mount	504399	
3 LT Chandelier	504175	
5 LT Chandelier	504167	
9 LT Chandelier	512855	
Pendant	504266	
Mini Pendant	509026	

Type:

Job:

Order Code:

Approvals:

Design House reserves the right to make changes in materials, specifications & models at any time. Design House also reserves the right to discontinue product without notice or obligation.