

JACKSON Downlight

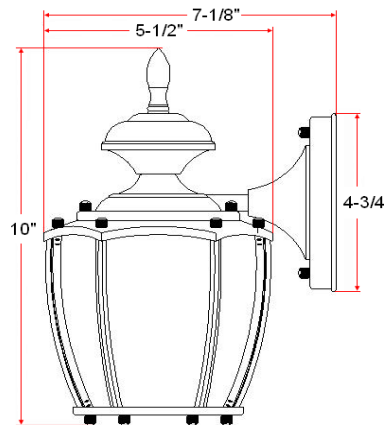


Specifications

| | |
|---------------------------------|--|
| Material Construction: | Solid Brass |
| Lens: | Clear beveled glass |
| Lamp Type & Wattage: | One 60W, medium base incandescent lamp |
| Mounting: | Wall mounted |
| Finish: | Solid Brass/Antique Brass (US5) |
| Voltage: | 120V |
| Weight: | 2.05 lbs |
| Companion Fixtures: | Uplight and Downlight |



Dimensions



Warranty & Compliances

| | |
|-------------------|-------------------------------------|
| Warranty | 10 Year Limited Warranty |
| UL | UL/cUL; Suitable for damp locations |
| ADA | N/A |
| EnergyStar | N/A |



Companion Fixtures

| | | |
|----------------------------|--------|----------------------------|
| Downlight | 501445 | Solid Brass |
| | 501478 | Antique Brass (US5) |
| Uplight (15-1/4" H) | 502526 | Solid Brass |
| Uplight (12-1/2" H) | 501486 | Solid Brass |

Type:

Job:

Order Code:

Approvals: