

# JACKSON Downlight

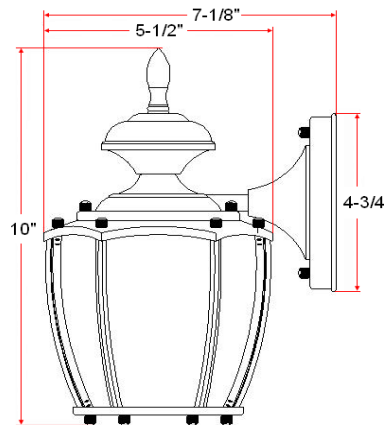


## Specifications

<b>Material Construction:</b>	Solid Brass
<b>Lens:</b>	Clear beveled glass
<b>Lamp Type &amp; Wattage:</b>	One 60W, medium base incandescent lamp
<b>Mounting:</b>	Wall mounted
<b>Finish:</b>	Solid Brass/Antique Brass (US5)
<b>Voltage:</b>	120V
<b>Weight:</b>	2.05 lbs
<b>Companion Fixtures:</b>	Uplight and Downlight



## Dimensions



## Warranty & Compliances

<b>Warranty</b>	10 Year Limited Warranty
<b>UL</b>	UL/cUL; Suitable for damp locations
<b>ADA</b>	N/A
<b>EnergyStar</b>	N/A



## Companion Fixtures

<b>Downlight</b>	501445	<b>Solid Brass</b>
	501478	<b>Antique Brass (US5)</b>
<b>Uplight (15-1/4" H)</b>	502526	<b>Solid Brass</b>
<b>Uplight (12-1/2" H)</b>	501486	<b>Solid Brass</b>

Type:

Job:

Order Code:

Approvals: