

37" x 19" Oval Vanity Top

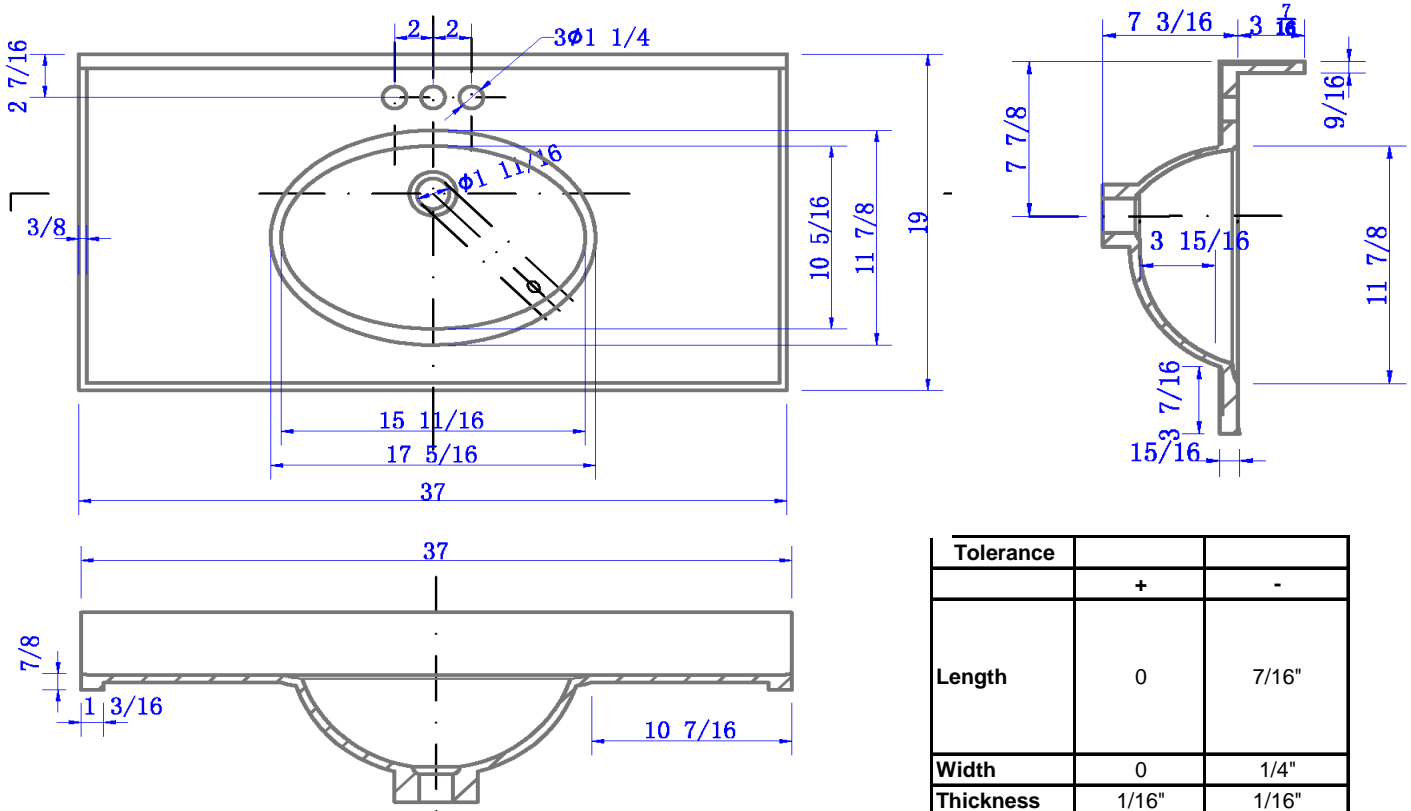


Specifications

- Material Content:** Cultured Marble (Stone filler, Resin and Gel coat)
- Back splash:** Integrated, 3-7/16" high, 9/16" thick
- Faucet Holes:** 3x D1-1/4" holes, 4" center mount
- Overflow Hole** with, D 9/16"
- Drain Hole** with, D 1 -11/16"
- Water Depth** 3- 15/16"
- Bowl** 15- 11/16" width, 10-5/16" depth
- Color:** Solid White / White on White / White on Bone



Dimensions



Tolerance	+	-
Length	0	7/16"
Width	0	1/4"
Thickness	1/16"	1/16"

Warranty & Compliances

- Warranty** 5 Year Limited Warranty
- UPC** Complaint
- CSA** Complaint
- ANSI** ANSI Z124.3 compliant



Order Codes & Finishes/Colors

	View Box	Sleeve Pack
Solid White	551341	550442
White on white	551077	552067

37" x 19" Oval Vanity Top-01/05/10

www.todaysdesignhouse.com

Type:
Job:
Order Code:
Approvals:

Design House is a registered brand of DHI Corp.
 Mequon, WI * 800-558-8700

White on Bone

551127

552281



Design House reserves the right to make changes in materials, specifications & models at any time. Design House also reserves the right to discontinue product without notice or obligation.
