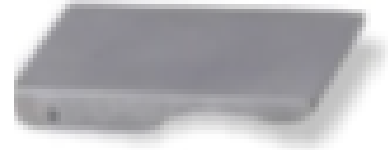


Verge Cabinet Pull

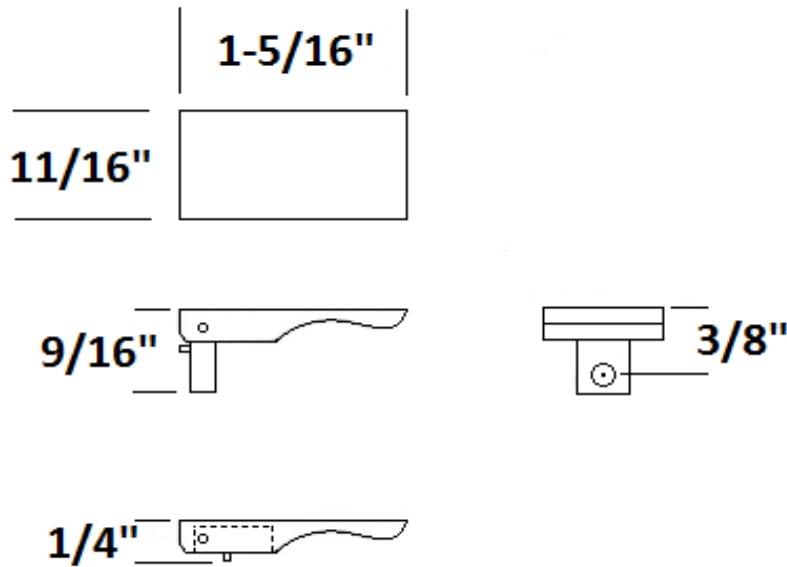


Specifications

Metal Material	100% Zinc alloy
Packaging	Poly bag
Mounting:	96 MM
Hardware:	two 8-32 screws; included



Dimensions



Warranty & Compliances

Warranty	Limited 1 year warranty
ANSI/BHMA	N/A



Order Codes

Brushed Nickel	205708
Antique Brass	205716
Antique Pewter	205724

Type:
Job:
Order Code:
Approvals:

Design House reserves the right to make changes in materials, specifications & models at any time. Design House also reserves the right to discontinue product without notice or obligation.