

T-Pull Cabinet Knob

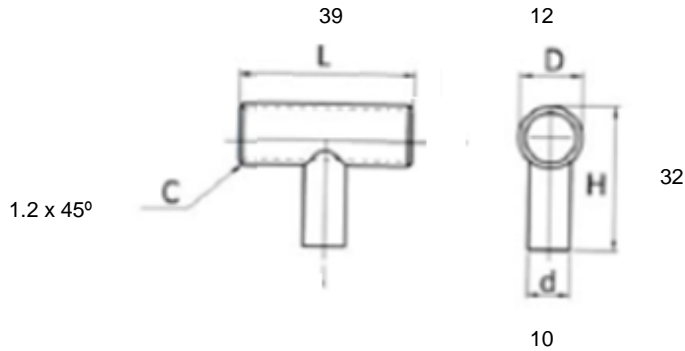


Specifications

Metal Material 100% Stainless steel (hollow)
Packaging Poly bag
Mounting:
Hardware: one 8-32 screw; included



Dimensions



Warranty & Compliances

Warranty Limited 1 year warranty
ANSI/BHMA N/A



Order Codes

Stainless Steel 205682

Type:
Job:
Order Code:
Approvals:

Design House reserves the right to make changes in materials, specifications & models at any time. Design House also reserves the right to discontinue product without notice or obligation.