

Barrel Cabinet Knob

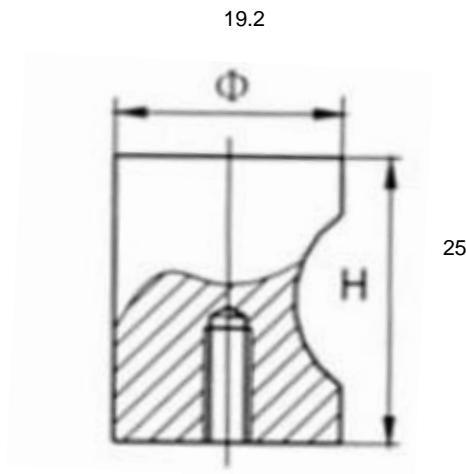


Specifications

Metal Material	100% Zinc alloy
Packaging	Poly bag
Mounting:	Single point; 19.2mm base
Hardware:	one 8-32 screw; included



Dimensions



Warranty & Compliances

Warranty	Limited 1 year warranty
ANSI/BHMA	N/A



Order Codes

Brushed Nickel	205112
Antique Brass	205120

Type:
Job:
Order Code:
Approvals: