

Kensington Cabinet Pull

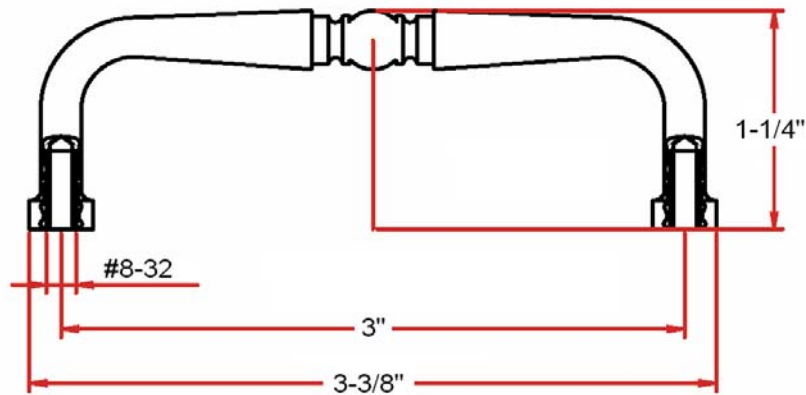


Specifications

Metal Material	100% Zinc alloy
Packaging	Poly bag
Mounting:	3' CC
Hardware:	2 x 8-32 screws; included



Dimensions



Warranty & Compliances

Warranty	Limited 1 year warranty
ANSI/BHMA	N/A



Order Codes

Satin Nickel (US15)	203950
Oil Rubbed Bronze (US10B)	203877



Type:
Job:
Order Code:
Approvals:

Design House reserves the right to make changes in materials, specifications & models at any time. Design House also reserves the right to discontinue product without notice or obligation.