

Ardmoore Cabinet Pull

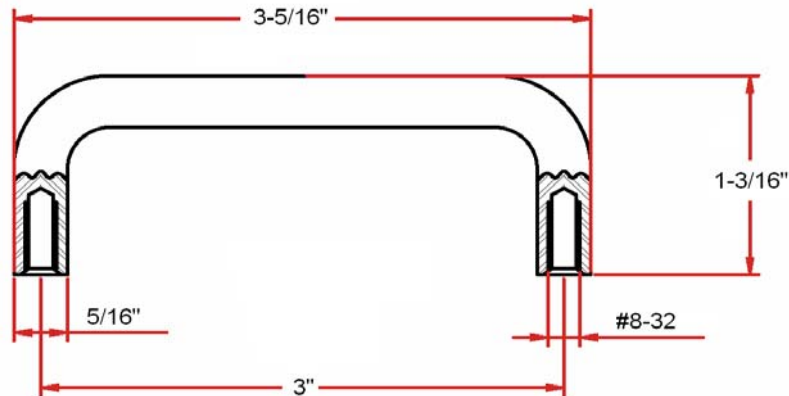


Specifications

Metal Material	100% Zinc alloy
Packaging	Poly bag
Mounting:	3" CC
Hardware:	two 1" x 8-32 screws; included



Dimensions



Warranty & Compliances

Warranty	Limited 1 year warranty
ANSI/BHMA	N/A



Order Codes

Satin Nickel (US15)	203935
Oil Rubbed Bronze (US10B)	203927



Type:
Job:
Order Code:
Approvals: