

Victorian Cabinet Knob

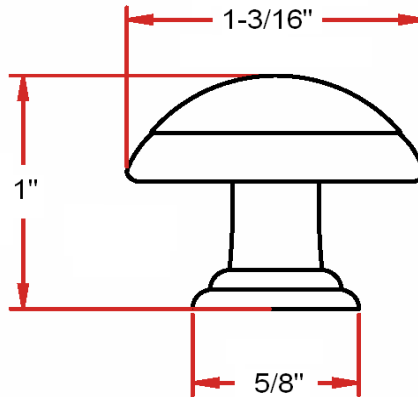


Specifications

Metal Material	100% Zinc alloy
Packaging	Poly bag
Mounting:	Single point; 5/8" base
Hardware:	one 1" x 8-32 screw; included



Dimensions



Warranty & Compliances

Warranty	Limited 1 year warranty
ANSI/BHMA	N/A



Order Codes

Satin Nickel (US15)	203349
Oil Rubbed Bronze (US10B)	203331



Type:

Job:

Order Code:

Approvals:

Design House reserves the right to make changes in materials, specifications & models at any time. Design House also reserves the right to discontinue product without notice or obligation.