

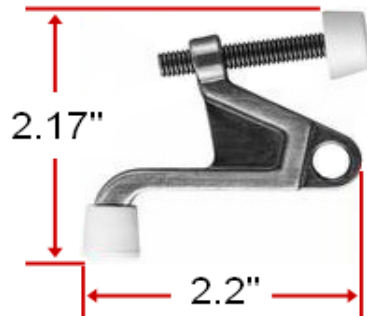
Door Hardware Jumbo Hinge Pin Door Stop



Specifications

Product Dimensions	2.17" x 2.2" (55mm x 56mm)
Metal Material	zinc alloy
Hinge Pin	accommodates 1/4"-5/16" Dia. Hinge Pins
Door Opening	adjust from 85° to 125°
Packaging	poly bag

Dimensions



Warranty & Compliances

Warranty	Limited 1 year warranty
ANSI/BHMA	N/A



Order Codes

Box Pack

Polished Brass (US3)	202416	
Satin Nickel (US15)	202424	
Oil Rubbed Bronze (US10B)	202432	
Antique Brass (US5)	203067	

Type:

Job:

Order Code:

Approvals:

Design House reserves the right to make changes in materials, specifications & models at any time. Design House also reserves the right to discontinue product without notice or obligation.