

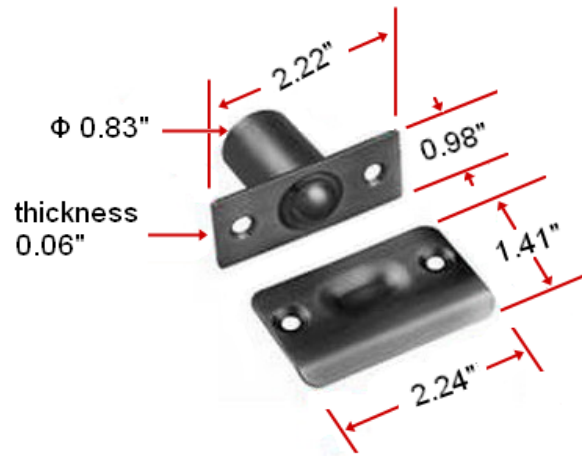
Door Hardware Adjustable Ball Catch



Specifications

Product Dimensions	2.22" x 0.98" (56.5mm x 24.9mm)
Metal Material	zinc
Strike type	1/4 Radius, 2.24"x 1.41" (57mm x 35.7mm)
Mounting Screws	#6 x 13/16"
Packaging	poly bag

Dimensions



Warranty & Compliances

Warranty	Limited 1 year warranty
ANSI/BHMA	N/A



Order Codes

	Box Pack	
Polished Brass (US3)	202895	
Satin Nickel (US15)	202903	
Oil Rubbed Bronze (US10B)	202911	
Antique Brass (US5)	203042	

Type:

Job:

Order Code:

Approvals:

Design House reserves the right to make changes in materials, specifications & models at any time. Design House also reserves the right to discontinue product without notice or obligation.