

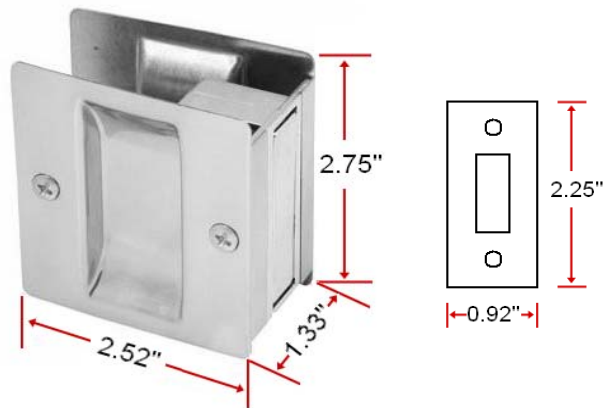
# Door Hardware Pocket Door Passage



## Specifications

<b>Product Dimensions</b>	2.75" x 2.52" x 1.33" (70mm x 64mm x 33.8mm)
<b>Metal Material</b>	solid brass
<b>Integrated Pull</b>	1" x 2-9/16"
<b>Side Plate</b>	included, solid brass
<b>Packaging</b>	poly bag

## Dimensions



## Warranty & Compliances

**Warranty** Limited 1 year warranty



## Order Codes

<b>Polished Brass (US3)</b>	202804
<b>Satin Nickel (US15)</b>	202812
<b>Oil Rubbed Bronze (US10B)</b>	202820



Type:  
Job:  
Order Code:  
Approvals:

Design House reserves the right to make changes in materials, specifications & models at any time. Design House also reserves the right to discontinue product without notice or obligation.