

Millbridge Energystar 52" Ceiling Fan

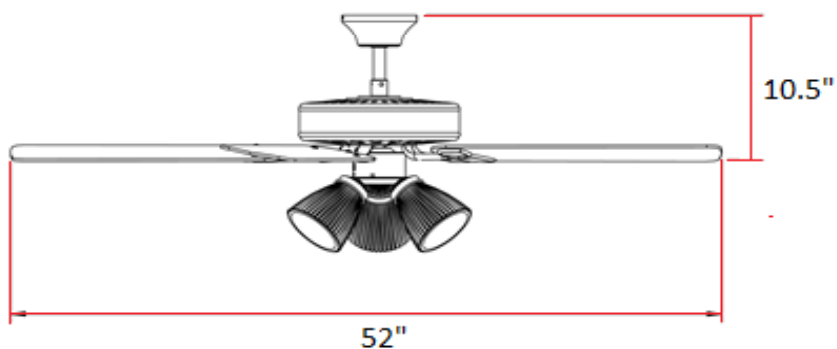


Specifications

Material Construction:	Steel
Motor Size:	153mm X 20mm
Diameter:	52"
Downrod:	4"
Mounting:	Tri-Mount adaptable (downrod, close-to-ceiling & vaulted ceiling)
Blade Details:	5 blades: MDF
Blade Color:	Reversible: Black/ Light Maple
Blade Material:	Zinc Die Casted
Speed Control:	3 speed pull chain control
Voltage:	120V
Weight:	18.8 lbs.
Light Kit - Lens	Frosted Opal Glass
Light Kit - Lamp Info	3 x 60W, candelabra-based incandescent lamp
Airflow at High Speed:	5380 CFM
Electricity Usage:	65W
Airflow Efficiency:	83 CFM/W
RPMs (High/Med/Low):	180/135/85



Dimensions



Warranty & Compliances

Warranty	10 Year Limited Warranty
UL	UL Listed



Companion Fixtures

Satin Nickel	154229
---------------------	--------

Design House reserves the right to make changes in materials, specifications & models at any time. Design House also reserves the right to discontinue product without notice or obligation.