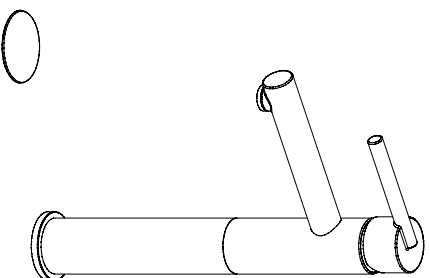


Design House is a registered brand of DHI Corp.

Mequon, WI 53092
1-800-558-8700

SINGLE HANDLE LAVATORY FAUCET

Models 525576,525162



Your new Design House faucet will give you years of trouble free performance. Thank you for choosing our product for your home. **Please read all of these instructions carefully before installing your new faucet.**

Helpful tools to install this faucet:

- basin wrench
- silicon sealer
- Teflon tape
- flashlight
- (2) crescent wrenches
- faucet supply tubes

IMPORTANT POINTS

- When installing your new faucet, hand tighten the connector nuts, then use one wrench to anchor the fitting and a second wrench to tighten the nut one additional turn. Connections that are too tight will reduce the integrity of the system.
- Wrap all threaded connections (except aerator thread in spout) with Teflon tape available from your local hardware or plumbing supply store. Always wrap in a counter-clockwise direction.

SAFETY TIPS

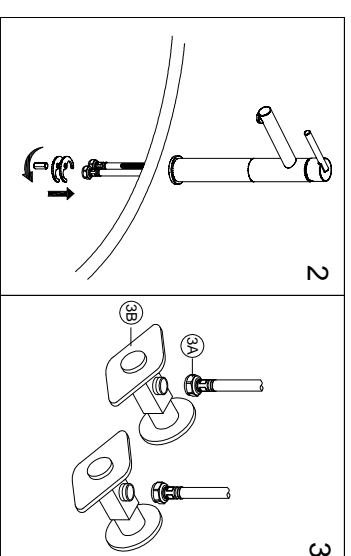
- **ALWAYS** protect your eyes with safety glasses.

INSTALLATION PROCEDURE

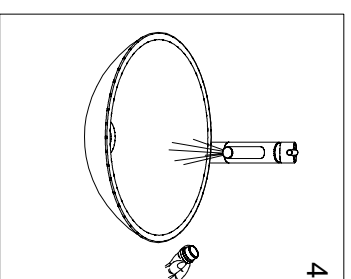
1. Shut off water supply. Remove old faucet, taking care not to damage existing water lines. Clean surface in preparation for new faucet.

2. Place new faucet in position of sink. Secure new faucet to sink using mounting nuts (1) provided.

3. Thread the nut (3A) on the supply line onto the outlet of the water supply valve (3B) and tighten with a wrench. Do not overtighten.



4. Important: After installation is completed, remove aerator. Turn on water supply and allow both hot and cold water to run for at least one minute each. Replace aerator.



MAINTENANCE

Your new Design House faucet is designed to give you years of trouble free performance. Keep it looking new by cleaning it periodically with a soft cloth. Avoid abrasive cleaners, steel wool and harsh chemicals that will dull the finish and void your warranty.

Brass finishes are polished, then protected with a lacquer coating to help prevent tarnishing. Clean these surfaces only with a damp, soft cloth.

CONSUMER PROTECTION WARNING

Under the Safe Drinking Water Act, the U.S. Environmental Protection Agency restricts the amount of lead used in brass and solder. Your new faucet is made in strict compliance with all government standards. The materials used in the manufacture of this faucet are of industry standard quality and are similar to other plumbing products having brass fittings.

To reduce the amount of lead in your drinking water, allow the water to run for a moment before filling your glass and remember to always use cold water for drinking purposes.

TROUBLE SHOOTING

Problem:

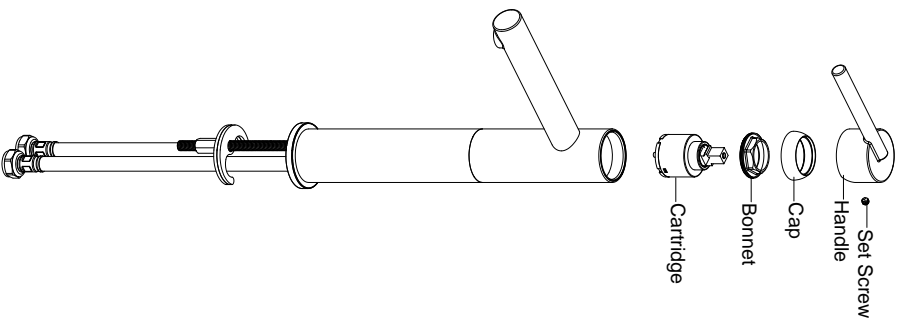
Leaks from under handle and water does not completely shut off.

Cause:

Bonnet is loose or the cartridge is dirty or worn.

Action:

1. Remove the handle by loosening the set screw with a Phillips screwdriver and unscrew cap.
2. Tighten the bonnet by turning it clockwise. Move the cartridge stem to the ON position. The leak should stop around the cartridge stem.
3. If the leak does not stop, shut off the water supply. Remove the bonnet by turning it counter clockwise. Lift out the cartridge. Clear or replace the cartridge if it is dirty or distorted.
4. Position the cartridge back to the faucet body and retighten the bonnet and cap.
5. Reinstall the handle.

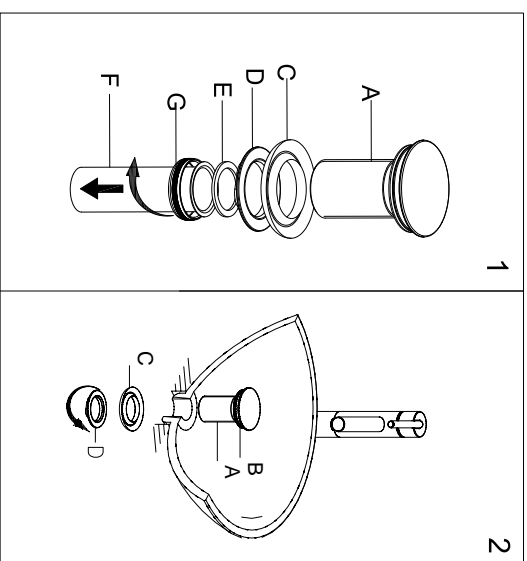
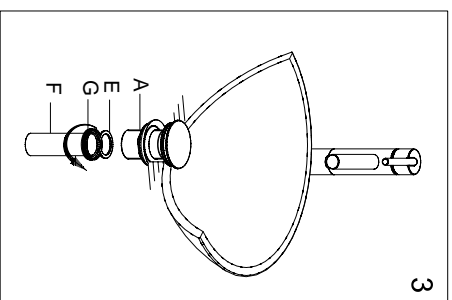


Many of these parts come preassembled. This exploded diagram is to assist in trouble shooting.

POP-UP (OPTIONAL) INSTALLATION PROCEDURE

1. Remove old pop-up drain and clear up the hole in preparation for new pop-up drain installation. First, unscrew the nut (G) from pop-up body (A), move over the tail pipe (F) and washer (E), then unscrew the coupling nut (D) and remove washer (C).

2. Place gasket (B) underneath the flange of the drain assembly (plumber's putty can be substitute for the provided gasket). Slide assembly down through drain hole on the vessel or basin. From underside, slide gasket (C) against the bottom of the vessel or basin. Gasket (C) must be against bottom of the vessel or basin. Thread on nut (D) and tighten to gasket. Do not over tighten.



3. Slide coupling nut (G) over tail pipe (F). Place the washer (E) into the nut and tighten. Do not overtighten.