

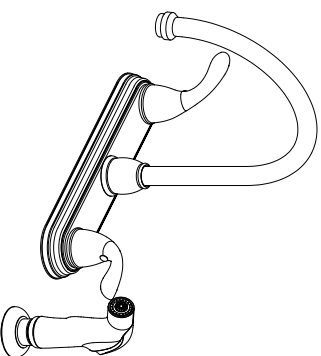


Design House is a registered brand of DHI Corp.

Meguon, WI 53092  
1-800-558-8700

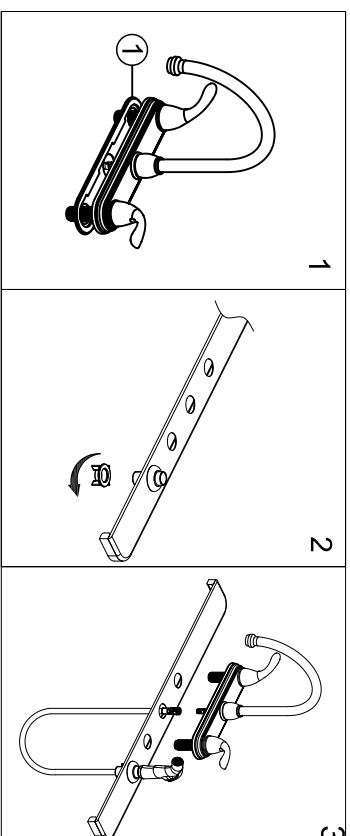
## ASHLAND TWO HANDLE KITCHEN FAUCET

Models 525071, 525089  
525097



### INSTALLATION PROCEDURE

1. Shut off water supplies. Remove old faucet. Place gasket (1) on bottom of new faucet. If your model has a spray, proceed to step 2. If your model does not have a spray skip to step 4.
2. Mount spray support in far right hole in sink.
3. Insert spray hose down through support and sink. Attach spray hose to spray hose nipple.



Your new Design House faucet will give you years of trouble free performance. Thank you for choosing our product for your home. **Please read all of these instructions carefully before installing your new faucet.**

#### Helpful tools to install this faucet:

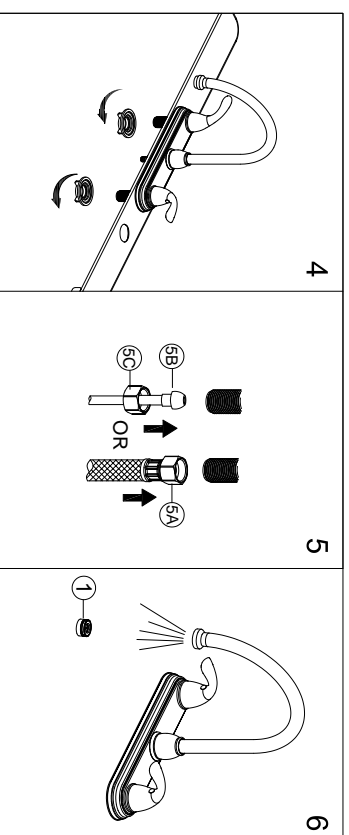
- basin wrench
- silicon sealer
- Teflon tape
- flashlight
- (2) crescent wrenches
- faucet supply tubes

#### IMPORTANT POINTS

- When installing your new faucet, hand tighten the connector nuts, then use one wrench to anchor the fitting and a second wrench to tighten the nut one additional turn. Connections that are too tight will reduce the integrity of the system.
- Wrap threaded connections (except aerator thread in spout or where o-ring or rubber sealant are present) with Teflon tape available from your local hardware or plumbing supply store. Always wrap in a clockwise direction.

#### SAFETY TIPS

- **ALWAYS** protect your eyes with safety glasses.



4. Place faucet in position on sink. From under sink, thread mounting nuts onto faucet. Tighten mounting nuts.

5. Make connections to water lines. Use 1/2" IPS faucet connections (5A, not included) or use the supplied coupling nuts (5C) with 3/8" O.D. ball-nose risers (5B, not included). Use wrenches to tighten connections. Do not overtighten.

6. Important: After installation is completed, Remove aerator(1). Turn on hot and cold water supplies. Turn handles to full open position for one minute. Check for leaks. Replace aerator.

## TROUBLE SHOOTING

o 525071 - Polished Chrome

o 525089 - Satin Nickel

o 525097 - Oil Rubbed Bronze

**Problem:** Faucet leaks from under handle.

**Cause:** Bonnet is loose or o-ring on cartridge is dirty or twisted.

**Action:**

1. Move handle to OFF position. Remove cap and unscrew the screw on the handle. Then remove the entire handle assembly.
2. Tighten the bonnet by turning it clockwise. Move the cartridge stem to the ON position. The leak should stop around the cartridge stem.
3. If the leak does not stop, shut off the water supply. Remove the bonnet by turning it counter clockwise. Lift out the cartridge valve. Inspect the o-rings. Clear debris, untwist, or replace if necessary.
4. Replace the cartridge making sure the wings fit well into the cuts in the faucet body. Tightly screw the bonnet onto the faucet body.
5. Reinstall the handle.

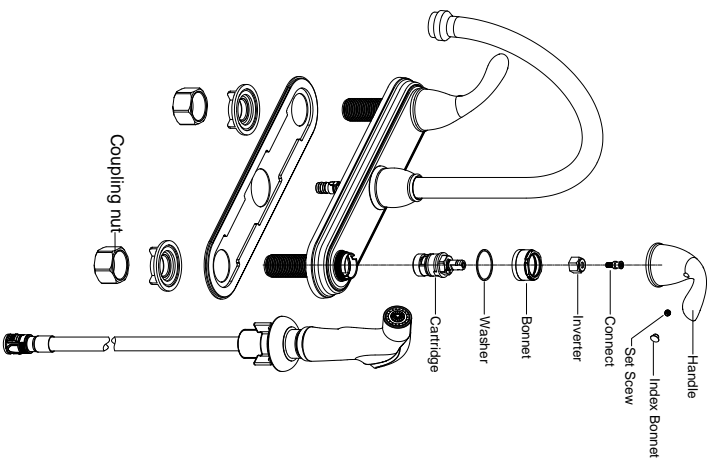
**Problem:** Faucet leaks around aerator or an improper flow pattern.

**Cause:** Aerator is incorrectly fitted or is dirty

**Action:**

1. Unscrew the aerator. Make sure all internal parts are laying flat.
2. If there is debris, gently flush all parts inside.
3. Reinstall aerator.

**Many of these parts come preassembled. This exploded diagram is to assist in trouble shooting.**



## MAINTENANCE

Your new Design House faucet is designed to give you years of trouble free performance. Keep it looking new by cleaning it periodically with a soft cloth. Avoid abrasive cleaners, steel wool and harsh chemicals that will dull the finish and void your warranty

Brass finishes are polished, then protected with a lacquer coating to help prevent tarnishing. Clean these surfaces only with a damp, soft cloth.

### CONSUMER PROTECTION WARNING

Under the Safe Drinking Water Act, the U.S. Environmental Protection Agency restricts the amount of lead used in brass and solder. Your new faucet is made in strict compliance with all government standards. The materials used in the manufacture of this faucet are of industry standard quality and are similar to other plumbing products having brass fittings.

To reduce the amount of lead in your drinking water, allow the water to run for a moment before filling your glass and remember to always use cold water for drinking purposes.