



RIDGEWAY CHANDELIER LIGHT

ASSEMBLY/INSTALLATION INSTRUCTIONS

1. Before beginning the installation, carefully unpack and identify all parts. Be sure the supply power is OFF.
2. If SUPPORT ARMS on FIXTURE ASSEMBLY are collapsed when shipped, Carefully separate ARMS by gently and evenly spreading them apart. See Figure 1.
3. Slide CENTER POST down along wires and thread securely onto NIPPLE B which located on top of the fixture body (Carefully pulling excess wire through FIXTURE LOOP).
4. Locate the CROSSBAR and secure to JUNCTION BOX with (2) JUNCTION BOX SCREWS. Thread LOCK NUT A and VIBRATION PROOF WASHER A on top end of the NIPPLE. Thread the NIPPLE into the center of the CROSSBAR. Locate LOCK NUT B and thread onto bottom end of NIPPLE. Tighten LOCK NUT A against CROSSBAR with pliers until snug.
5. Locate the FIXTURE CHAIN and determine desired hanging height of fixture. Adjust chain by removing links if needed. Please note that depending on chain material thickness, you might be required to use chain pliers to spread links open (See Figure 2). Proceed to attach one end of chain to FIXTURE LOOP, attached to top of fixture. Unravel FIXTURE WIRES and GROUND WIRE and pass through FIXTURE CHAIN alternating links at every 3 inches. Proceed to pull the fixture wires through the following mounting components: 1) CANOPY LOCK RING, 2) CEILING CANOPY, 3) CANOPY CHAIN LOOP, 4) VIBRATION PROOF WASHER B.
6. **MAKE ELECTRICAL CONNECTIONS:** (We recommend 2 people for the remainder of installation) Position the FIXTURE under the JUNCTION BOX and pass the FIXTURE WIRES and GROUND WIRES through the center of the NIPPLE. Using wire Connectors, Connect the HOUSE GROUND WIRE to the FIXTURE GROUND WIRE and secure to the CROSSBAR with GREEN GROUND SCREW, Connect the HOUSE WHITE WIRE(S) to the FIXTURE WHITE(or RIBBED) LEAD(S); Connect the HOUSE BLACK (or RED) WIRE to the FIXTURE BLACK (or SMOOTH) LEAD(S). Wrap all connections with approved electrical tape.
7. With the connections properly made, carefully tuck all wires into JUNCTION BOX. Locate the CANOPY CHAIN LOOP and thread onto the end of the NIPPLE. Thread LOCK NUT B and VIBRATION PROOF WASHER B down NIPPLE and tighten against CANOPY CHAIN LOOP. Pull the center hole in the CEILING CANOPY over the CANOPY CHAIN LOOP and secure to ceiling by threading CANOPY LOCK RING onto CANOPY CHAIN LOOP.
8. Locate the GLASS SHADES and pull over the SOCKETS, Thread SOCKET RINGS onto end of the SOCKETS and hand tighten until snug.
9. Install the bulb(s) (Sold separately) referring to fixture markings or labels for maximum wattage.
10. Restore supply power (ON). Retain this sheet for future reference.

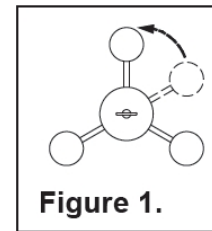


Figure 1.

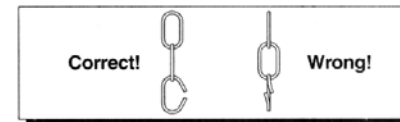
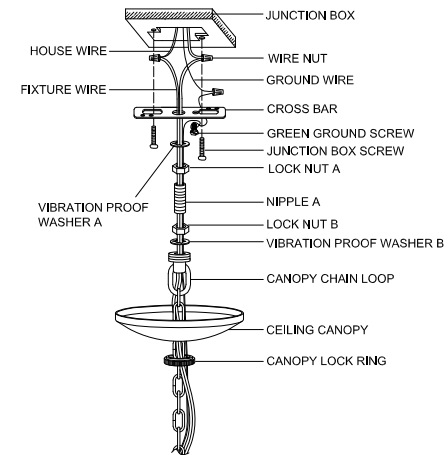
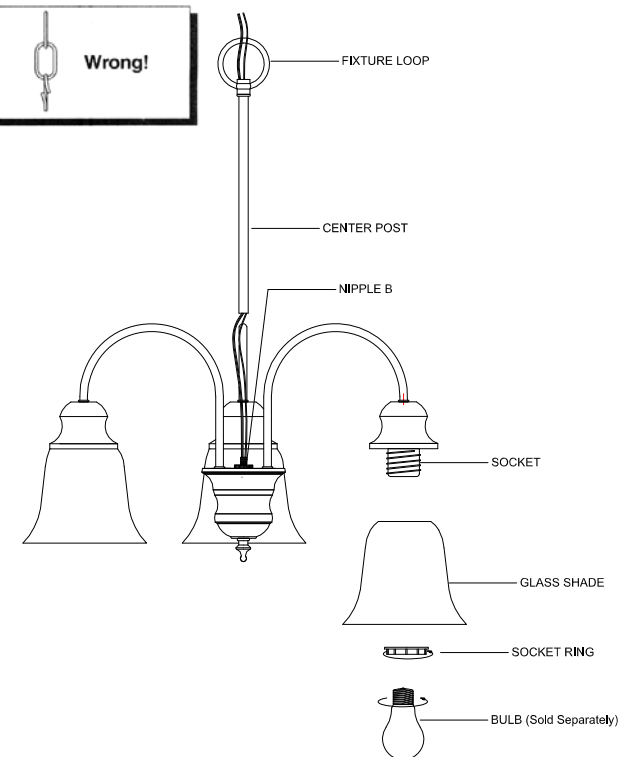


Figure 2

Figure 3.



**IF IN DOUBT ABOUT ELECTRICAL INSTALLATION,
CONSULT A LICENSED ELECTRICIAN.**

**Customer Service:
1-800-558-8700**

Note: This illustration is based on #519330, 519413 (3 Lights), the assembly/ installation instructions for #519322, 519405(5 Lights) is same as #519330, 519413 (3 Lights)