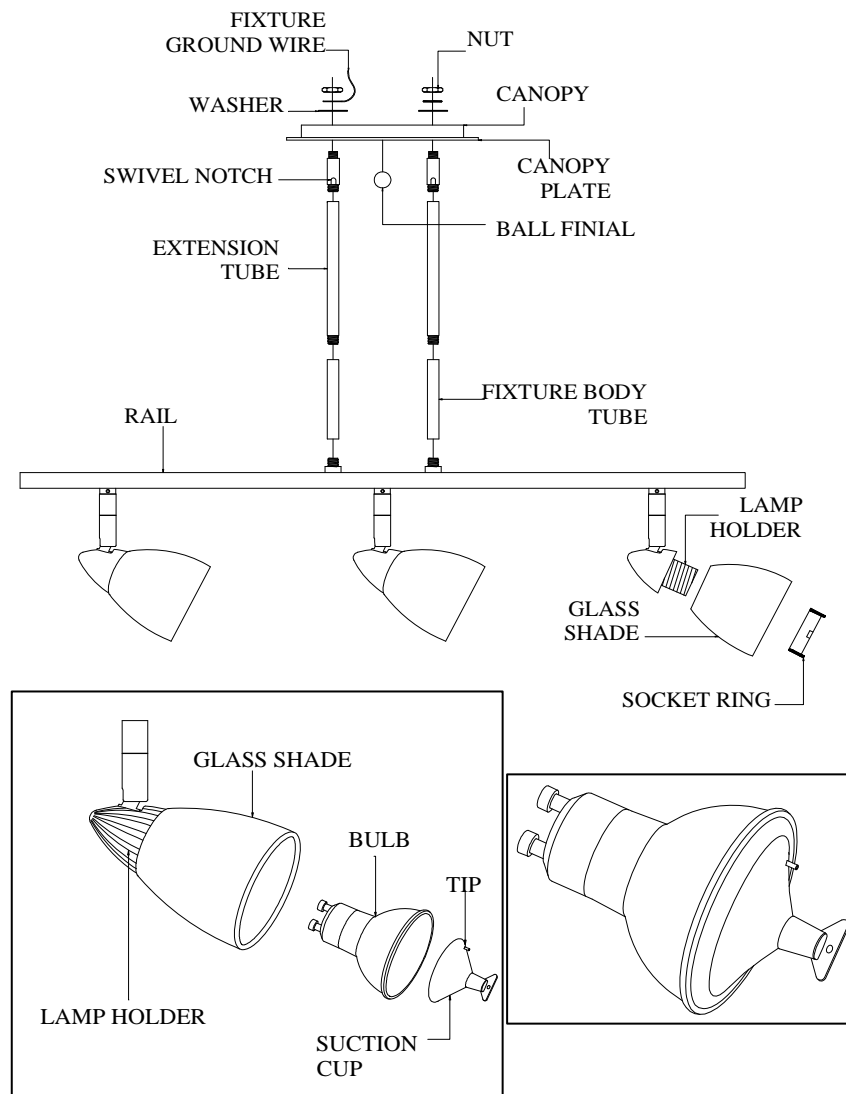




517151 517169 517177 517185

ASSEMBLY /INSTALLATION INSTRUCTIONS

1. Before beginning the installation, carefully unpack and identify all parts.
2. Turn off power while installing or servicing this fixture.
3. Thread wires upward through fixture body tube. Pull the wires gently in case the wires wind around in the tube.
4. Connect fixture body tube with rail by rotating the tube of fixture body.
5. Thread wires upward through extension tubes. Pull the wires gently in case the wires wind around in the tube. Connect extension tubes with fixture body tube by rotating the extension tubes.
6. Screw the swivels to tubes. Remember to make swivel notches secure in correct position as shown in the diagram.
7. Thread wires through hole of canopy and canopy plate.
8. Insert swivel nipples into holes of canopy and plate, and fasten with washers and nuts provided. Make sure the fixture ground wire has been assembled.
9. Attach the cross bar to the ceiling junction box with two mounting screws.
10. Connect all Black fixture wires to Black wire provided with large wire connector & Connect all White fixture wires to White wire provided with large wire connector.
11. Connect Black supply wire with Black fixture wire & White supply wire with White fixture wire by using small wire connectors. Connect ground supply wire and ground fixture wire to green ground screw on the cross bar.



**IF IN DOUBT ABOUT ELECTRICAL INSTALLATION,
CONSULT A LICENSED ELECTRICIAN.**

Customer Service : 1-800-558-8700

12. Raise the fixture to the ceiling and secure in place with the ball finial
13. Attach the glass shade to the glass holder, secure it with socket ring.
14. Attach the suction cup to the top surface of the halogen bulb lens.
15. Insert the bulb into the socket and twist.
16. Remove the suction cup from the halogen bulb lens by pulling the tip of the suction cup.
17. Adjust the spot heads to a desired position by moving the swivel.
18. Turn on the power at the main fuse or circuit breaker box.

NOTE : IF MOUNTING TO THE WALL, PLEASE FOLLOW THESE MOUNTING INSTRUCTIONS :

1. When this fixture is used as a wall fixture space, there is no need to install swivel and the extension tubes. Just install fixture body tube with nipple on the other side of fixture body tube to canopy and fasten with washers and nuts provided, making sure the ground wire has been assembled.
2. Leave 6" of wire for wiring and cut the remaining wire.
3. Attach the cross bar to the ceiling junction box with two mounting screws.
4. Connect all Black fixture wires to Black wire provided with large wire connector & Connect all White fixture wires to White wire provided with large wire connector.
5. Connect Black supply wire with Black fixture wire & White supply wire with White fixture wire by using small wire connectors. Connect ground supply wire and ground fixture wire to green ground screw on the cross bar.
6. Raise the fixture to the wall and secure in place with the ball finial
7. Attach the glass shade to the lamp holder, secure it with socket ring.
8. Attach the suction cup to the top surface of the halogen bulb lens.
9. Insert the bulb into the socket and twist.
10. Remove the suction cup from the halogen bulb lens by pulling the tip of the suction cup.
11. Adjust the spot heads to a desired position by moving the swivel.
12. Turn on the power at the main fuse or circuit breaker box.

