

1. Before beginning the installation, carefully unpack and identify all parts referring to Figure 3. Be sure the power to the installation point is OFF.
2. If SUPPORT ARMS on FIXTURE ASSEMBLY are collapsed when shipped, Carefully separate ARMS by gently and evenly spreading them apart. See Figure 1.
3. Slide FIXTURE LOOP down along wires and thread securely onto NIPPLE located on top of the FIXTURE ASSEMBLY (Carefully pulling excess wire through FIXTURE LOOP).
4. Slide FIXTURE ASSEMBLY and securely thread onto the NIPPLE located on top of the FIXTURE PAN (Carefully pulling excess wire through FIXTURE ASSEMBLY and LOOP).
5. Locate the CROSSBAR and secure to JUNCTION BOX with 2 JUNCTION BOX screws. Thread LOCK NUT A and VIBRATION PROOF WASHER A onto top end of the NIPPLE. Thread the NIPPLE into the center of the CROSSBAR. Locate LOCK NUT B and thread onto bottom end of NIPPLE. Tighten LOCK NUT A against CROSSBAR with pliers until snug.
6. Locate the FIXTURE CHAIN and determine desired hanging height of fixture. Adjust chain by removing links if needed. Please note that depending on chain material thickness, you might be required to use chain pliers to spread links open (See Figure 2). Attach one end of chain to FIXTURE LOOP, attached to top of fixture. Unravel FIXTURE WIRES and GROUND WIRES and pass through FIXTURE CHAIN alternating links. Pass the fixture wires through the following mounting components: CANOPY LOCK RING, CEILING CANOPY, CANOPY CHAIN LOOP and VIBRATION PROOF WASHER B.
7. **MAKE CONNECTIONS:** (We recommend 2 people for the remainder of installation) Position the FIXTURE under the JUNCTION BOX and pass the FIXTURE WIRE(S) and GROUND WIRE through the center of the NIPPLE. Connect the SUPPLY GROUND WIRE to the FIXTURE GROUND WIRE. Secure both to the CROSSBAR with GREEN GROUND SCREW. Using wire Connectors, connect the SUPPLY WHITE WIRE(S) to the FIXTURE WHITE (or RIBBED) LEAD(S); Connect the SUPPLY BLACK (or RED) WIRE to the FIXTURE BLACK (or SMOOTH) LEAD(S). Wrap all connections with approved electrical tape.
8. With the connections properly made, carefully tuck all wires into JUNCTION BOX. Locate the CANOPY CHAIN LOOP and thread onto the end of the NIPPLE. Proceed to thread LOCK NUT B and VIBRATION PROOF WASHER B down NIPPLE and tighten against CANOPY CHAIN LOOP. Pass the center hole in the CEILING CANOPY over the CANOPY CHAIN LOOP and secure to ceiling by threading CANOPY LOCK RING onto CANOPY CHAIN LOOP.
9. Locate the GLASS SHADE. Carefully lift up the GLASS SHADE, Align and pass the NIPPLE through the center hole in the bottom of GLASS SHADE. Thread the HEX NUT onto the NIPPLE and tighten it with pliers until snug.
10. Locate the CAP & FINIAL. Pass the CAP over the end of NIPPLE protruding from GLASS SHADE and secure it with FINIAL.
11. Install the BULB(s) (Sold separately) referring to fixture labels for maximum wattage.
12. Restore electrical power to installation point. Retain this sheet for future reference.

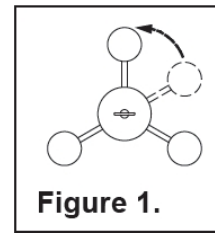


Figure 1.

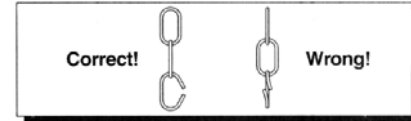


Figure 2

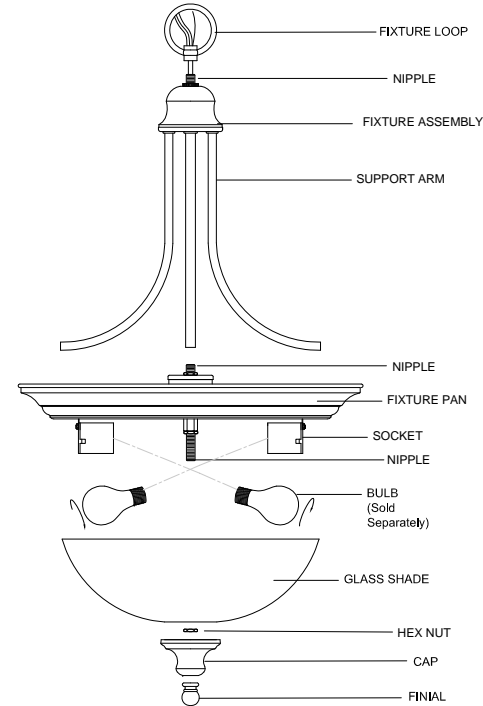
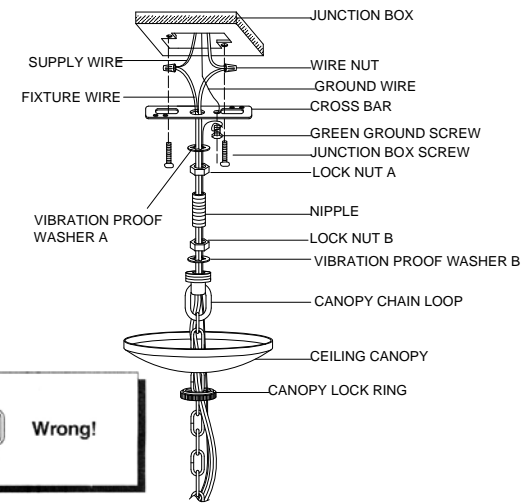


Figure 3.

#504266, 517102

**IF IN DOUBT ABOUT ELECTRICAL INSTALLATION,
CONSULT A LICENSED ELECTRICIAN.**