



Model Numbers 517011, 517029, 517037, 517045, 517052, 517060 and 517078

ASSEMBLY /INSTALLATION INSTRUCTIONS

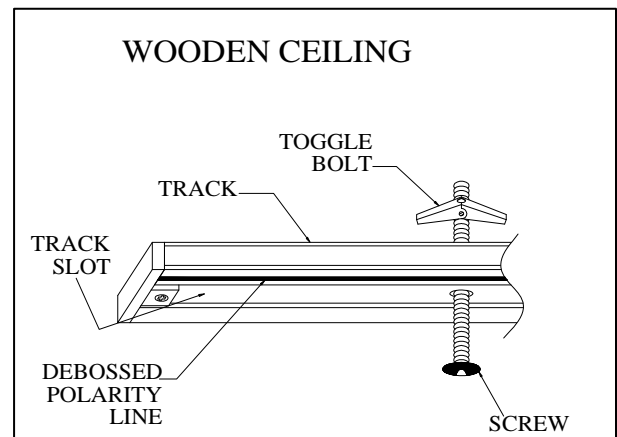
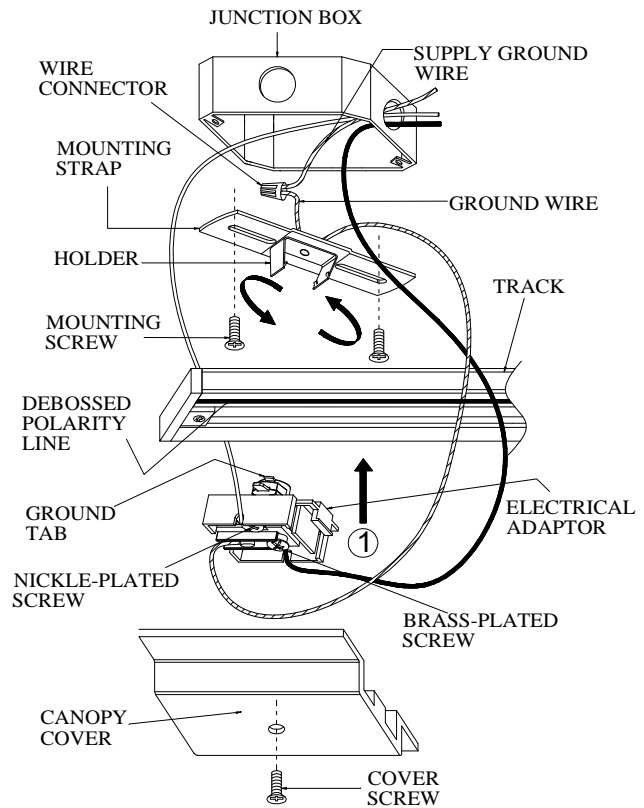
1. Before beginning the installation, carefully unpack and identify all parts.
2. Turn off power while installing or servicing this fixture
3. Connect the ground wire from the mounting strap to the ground wire from junction box with wire connector.
4. Fasten mounting strap to the junction box with two mounting screws.
5. Attach the track to the mounting strap, and then secure it with the holder.
6. Secure the track to the ceiling with two track screws. (See track installation provided).

NOTE : Track ends must be terminated with end cap or a connector.

7. Insert electrical adaptor contact into slot of the track. Rotate adaptor 90 degrees to achieve a locked position and to make electrical contact.

NOTE : Polarity tab (ground tab) on the electrical adaptor must point to the debossed polarity line of track when installed correctly.

8. Make wire connections :
Pull black supply wire from junction box ,attach to brass screw in the electrical adaptor and tighten the screw.
Pull white supply wire from junction box, attach to nickle screw in the electrical adaptor and tighten the screw.
Tuck the wires back to the junciton box carefully.
9. Attach the canopy cover to the electrical adaptor, and secure with screws.
10. Attach the track heads to the track (See track head installation provided)



TRACK INSTALLATION

FOR WOODEN CEILING :

1. Position the track under the junction box.
2. Mark the locations of the 2 track mounting holes at each end of the track.
3. Drill 2 holes at the marked places .
4. Secure the track screws through the holes of the track and toggle bolts. Then attach the toggle bolts into the holes of the wooden ceiling until the toggle bolts were secured.

IF IN DOUBT ABOUT ELECTRICAL INSTALLATION, CONSULT A LICENSED ELECTRICIAN.

Customer Service : 1-800-558-8700