

ASSEMBLY INSTRUCTIONS

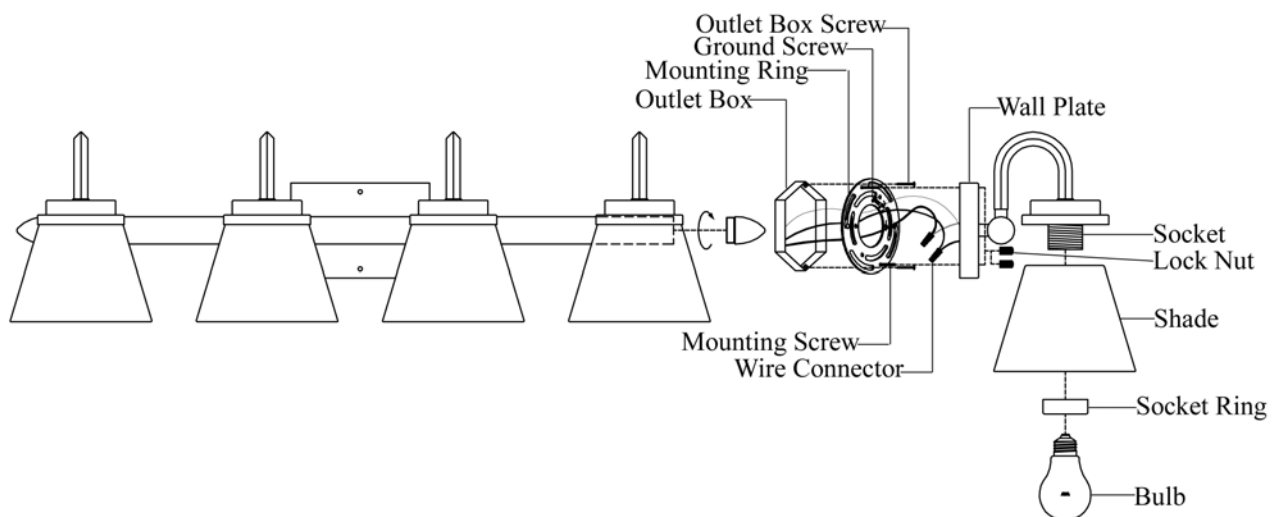
SKU#516997

NOTE: Please consult a qualified electrician if you are not certain of the installation.

CAUTION: Before starting the installation or service, disconnect the power by turning off the circuit breaker or by removing the fuse at the fuse box.

1. Carefully unpack the fixture, lay out all parts on a clean surface.
2. Attach the mounting ring to outlet box using provided outlet box screws.
3. Tie ground wire from outlet box and from fixture to the ground screw on the mounting ring. Connect white wire from fixture to white wire (neutral wire) from supply circuit. Connect black wire from fixture to black wire (live wire) from supply circuit. Cover connections using provided wire connectors.
4. Place the fixture body against wall by aligning the protruding mounting screws all the way through wall plate and tighten lock nuts to mounting screws until the fixture body is held firmly against the wall.
5. Twist the finial until it is held firmly to fixture body.
6. Unscrew socket rings from sockets. Place shades over sockets, and reattach socket ring to socket to secure shade.
7. Install the bulbs (sold separately).
8. Reconnect the power.

This light can be installed in an uplight or a downlight position.



dh
DESIGNHOUSE