

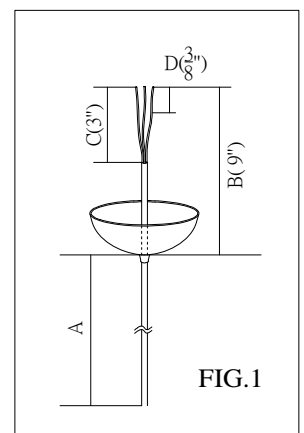
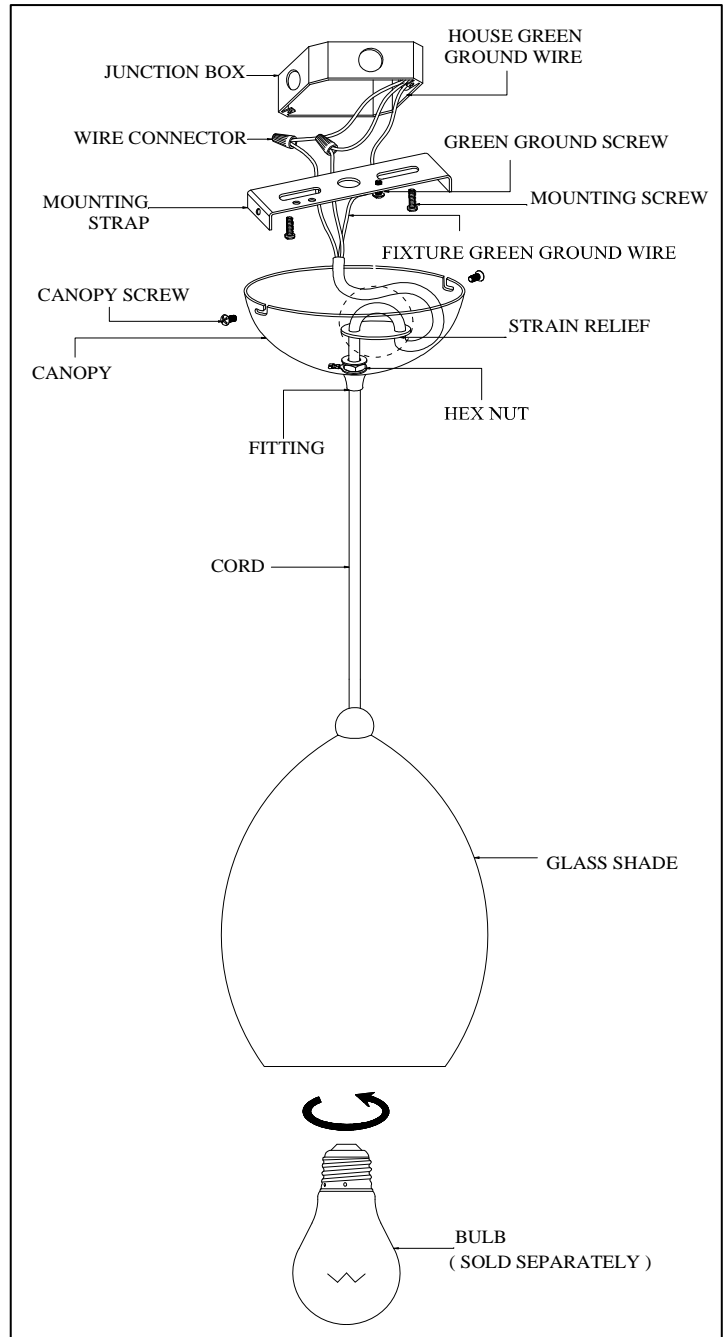


DHI Item #: 516807.516823.516831.516849.  
517144.507111.508416

**1-LT MINI PENDANT  
ASSEMBLY /INSTALLATION INSTRUCTIONS**

1. Before beginning the installations, carefully unpack and identify all parts.
2. Turn off power while installing or servicing this fixture.
3. Thread the cord through the Canopy and Strain Relief.  
Measure the desired length of the cord ( A ) from the Canopy to the glass and leave additional 9" cord ( B ) above the Canopy ( include the Canopy ). Then cut off the unnecessary cord ( See Fig 1. )
4. Adjust Strain Relief at 9" position from the top of cord.
5. Mark the 3" cord ( C ) from the top of the cord. ( B ). Use a knife to peel off the insulation of the cord ( C ) carefully to show the 3 inside wires out.. ( See Fig 1 )  
**Caution : Cutting too deep may cut off three inside wires and destroy the insulation surface of the three inside wires.**
6. Peel off the 3 wires from the top about 3/8" long ( D ) to expose the cooper wiring.
7. Mount Mounting Strap securely to Junction Box with 2 Mounting Screws through slot in Mounting Strap.
8. Make wire connections with Wire Connectors :  
 .---Connect White wire from the fixture to White wire from Junction Box with a Wire Connector.  
 .---Connect Black wire from the fixture to Black wire fom Junction Box with a Wire Connector.  
 .---Fasten Green Ground wires from Junction Box and fixture Ground wire to Mounting Strap with Green Ground screw.

9. Tuck the wires carefully inside the Junction Box.
10. Pull the cord ( A ) down slightly until the Strain Relief touches the Hex Nut. Attach the Canopy to the Mounting Strap by using 2 screws.
11. Install the recommended bulb.
12. Turn off the power at fuse or Circuit Box.



**IF IN DOUBT ABOUT ELECTRICAL INSTALLATION,  
CONSULT A LICENSED ELECTRICIAN.**

**Customer Service : 1-800-558-8700**