

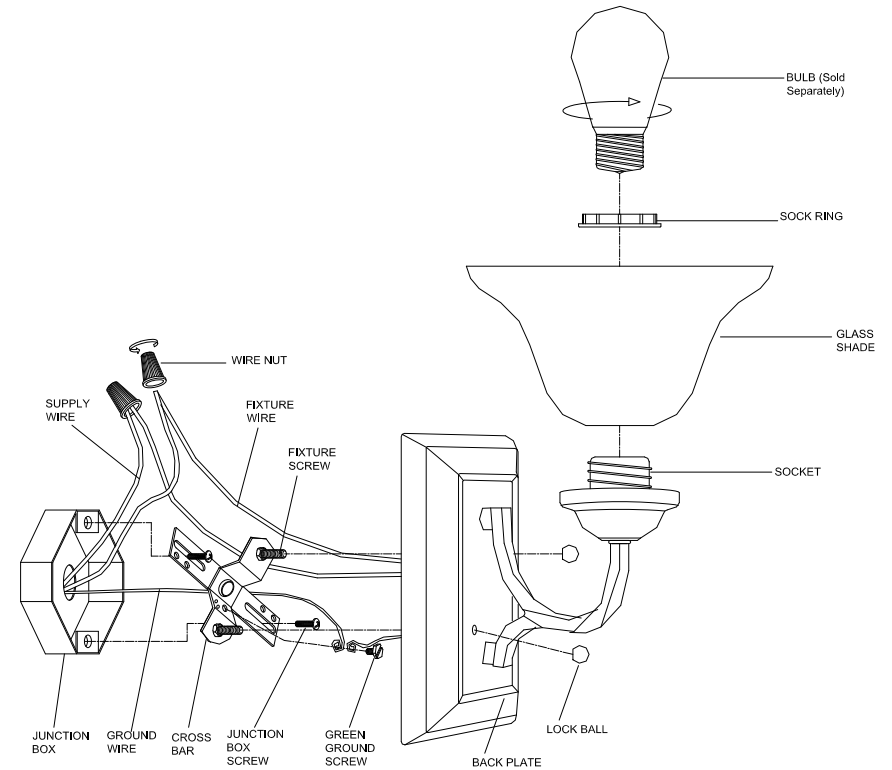


**DRAKE WALL MOUNT LIGHTING  
FIXTURES  
ASSEMBLY/INSTALLATION  
INSTRUCTIONS**

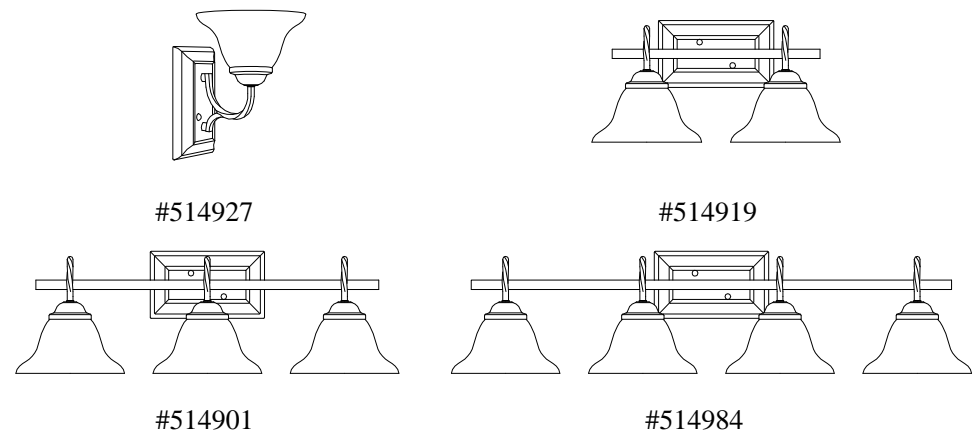
*NOTE:* Fixtures are suitable for up or down mounting.

1. Before beginning the installation, carefully unpack and identify all parts referring to Figure 1. Be sure the power to the installation point is OFF.
2. Using 2 JUNCTION BOX SCREWS, securely fasten the CROSSBAR to the JUNCTION BOX.
3. **MAKE CONNECTIONS:** (We recommend 2 people for the remainder of installation) Connect the SUPPLY GROUND WIRE to the FIXTURE GROUND WIRE. Secure both to the CROSSBAR with GREEN GROUND SCREW. Using wire Connectors, connect the SUPPLY WHITE WIRE(S) to the FIXTURE WHITE(or RIBBED) LEAD(S); Connect the SUPPLY BLACK (or RED) WIRE to the FIXTURE BLACK (or SMOOTH) LEAD(S). Wrap all connections with approved electrical tape.
4. Place the BACK PLATE over the CROSSBAR and secure it with 2 LOCKING BALLS.
5. Locate the GLASS SHADE(S) and pass over the SOCKET(S), Thread SOCKET RING(S) onto end of the SOCKET(S). Hand tighten until snug.
6. Install the bulb(s) (Sold separately) referring to fixture labels for maximum wattage. The bulb quantities depend on the style (Refer to Figure 2).
7. Restore electrical power to installation point. Retain this sheet for future reference.

**FIGURE 1.**



**FIGURE 2.**



**IF IN DOUBT ABOUT ELECTRICAL INSTALLATION,  
CONSULT A LICENSED ELECTRICIAN.**

*Customer Service: 1-800-558-8700*