

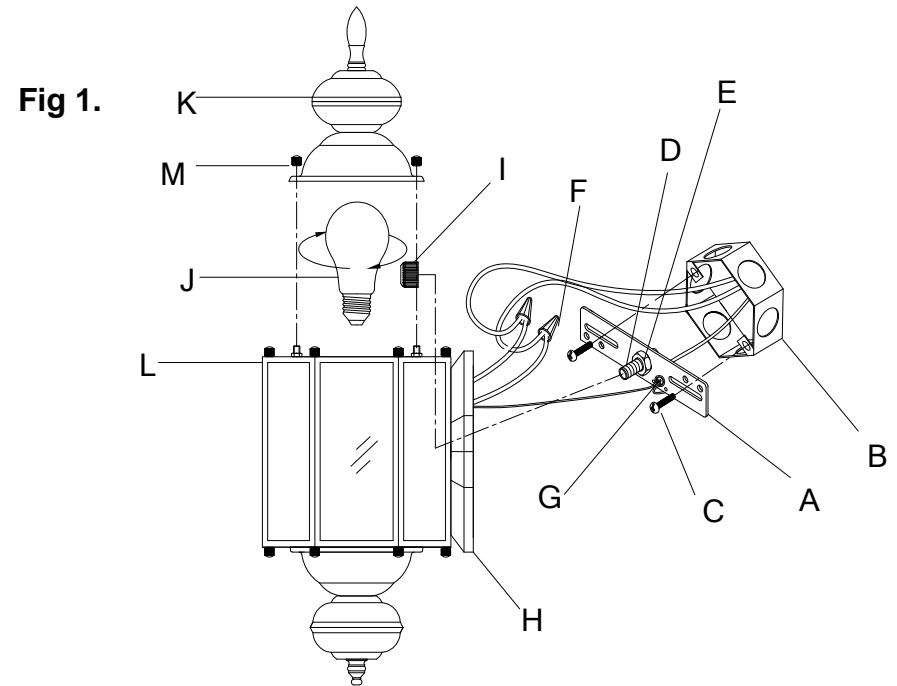


## AUGUSTA OUTDOOR LIGHT ASSEMBLY / INSTALLATION INSTRUCTIONS

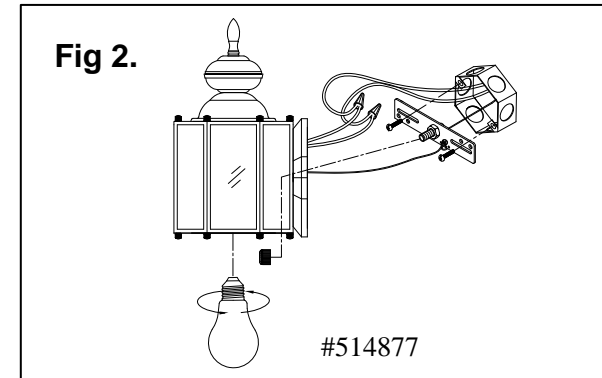
**Caution: 1. For fixtures labeled for outdoor and wet location use, please provide a water-tight seal between the fixture and the wall surface by using silicone caulk.**

**2. Turn off power at fuse box before installing or servicing the fixture.**

1. Carefully unpack and identify all parts in Figure 1.
2. Fasten the cross bar (A) to the junction box (B) with the outlet box screws (C) and adjust the length of the mounting screw (D) on cross bar with the hex nut (E).
3. Make wire connection with wire nut (F):
  - black fixture wire to supply wire.
  - white fixture wire to neutral supply wire.
  - fixture ground wire to supply ground wire, or attach the fixture ground wire to the cross bar with green screw (G). Then connect to the ground wire from supply. Carefully tuck the wires and wire nuts into the junction box.
4. Attach the back plate (H) to the cross bar with ball nut (I).
5. Install the bulb (J) (sold separately) to the socket (do not exceed the maximum wattage recommended on the label)
6. Attach the cover (K) to the frame (L) with ball nut (M).
7. Turn on power at fuse box.



#514869



#514877

**IF IN DOUBT ABOUT ELECTRICAL INSTALLATION,  
CONSULT A LICENSED ELECTRICIAN.**

**Customer Service:  
1-800-558-8700**