

# DESIGN HOUSE

## Installation Instructions

SKU#503250

Twist-off Ceiling Mount  
CUSTOMER SERVICE 1-800-558-8700

**NOTE:** Please consult a qualified electrician if you are not certain of installation.

**CAUTION:** Before starting installation or service, disconnect power by turning off the circuit breaker or by removing the fuse at the fuse box.

1. Carefully unpack the fixture, lay out all parts on a clean surface.
2. Tighten the longer MOUNTING SCREWS into mounting holes on MOUNTING STRAP (to be fully tightened later).
3. Attach the MOUNTING STRAP to OUTLET BOX using the OUTLET BOX SCREWS provided; insert through the long slotted holes on MOUNTING STRAP.
4. Connect black wires from fixture to black wire (live wire) from supply circuit. Connect white wires from fixture to white wire (neutral wire) from supply circuit. Cover the connections using the provided WIRE CONNECTORS. To make the Ground connection, secure the ground wire from fixture and the ground wire from supply circuit to the MOUNTING STRAP; fasten securely with the GROUND SCREW. Position wires back inside OUTLET BOX.
5. Place the CANOPY over OUTLET BOX. Allow the heads of MOUNTING SCREWS come out through the large ends of keyholes. Twist the CANOPY until the heads of MOUNTING SCREWS slide into the narrow ends of keyholes. Tighten MOUNTING SCREWS to secure the CANOPY.
6. Install the bulbs (not included).
7. Place glass SHADE on the notched/treads of the canopy, twist until the glass SHADE is secure.
8. Reconnect the power.

**CAUTION:** Refer to the re-lamping label located near the lamp holder or on the packaging box for recommended maximum wattage. DO NOT EXCEED THE RECOMMENDED WATTAGE.

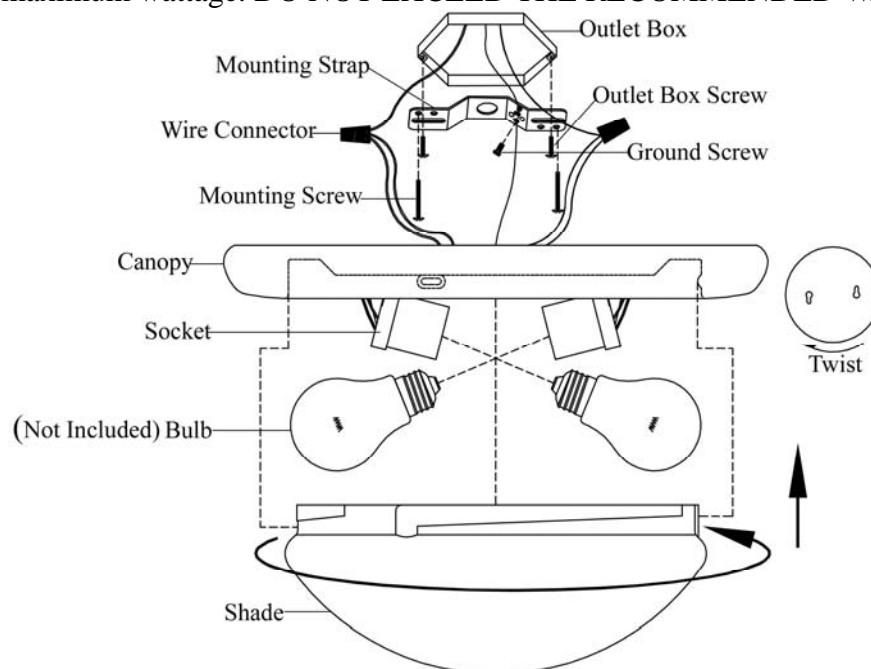


Fig. 1

**dh**  
**DESIGNHOUSE**