



CEILING FAN REMOTE CONTROLLER OPERATION AND INSTALLATION INSTRUCTIONS

Item#154286

(Please keep these instructions)

IMPORTANT

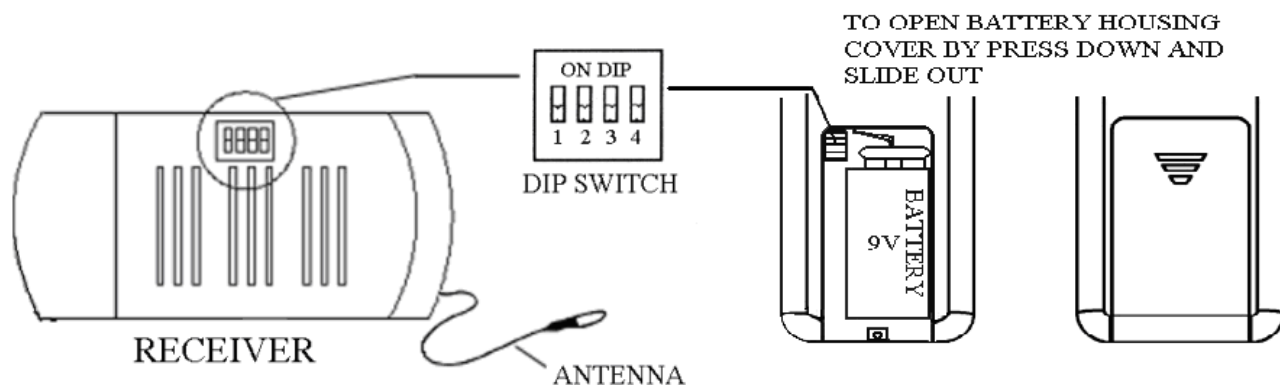
YOU MUST SET CEILING FAN MANUAL SWITCH TO HIGH SPEED AND LIGHT KIT (IF ANY) TO ON POSITION BEFORE OPERATING REMOTE CONTROL

GENERAL INFORMATION:

1. Read and save these instructions.
2. Please note that all fixed wiring appliances should be installed by a qualified electrician.
3. Disconnect the electrical power to the ceiling fan by removing the fuse or by switching off the circuit breaker.
4. This remote is to be used for the control of a ceiling fan and with an AC120V 60Hz power supply only.
5. Do not install in damp locations or immerse in water. (For indoor use only.)
6. Do not pull on or cut leads shorter.
7. Do not drop or bump the unit.
8. PLEASE NOTE: The battery will weaken with age and should be replaced before leaking takes place as this will damage the transmitter. Dispose of used battery properly; keep the battery out of reach of children.

SETTING THE CODE

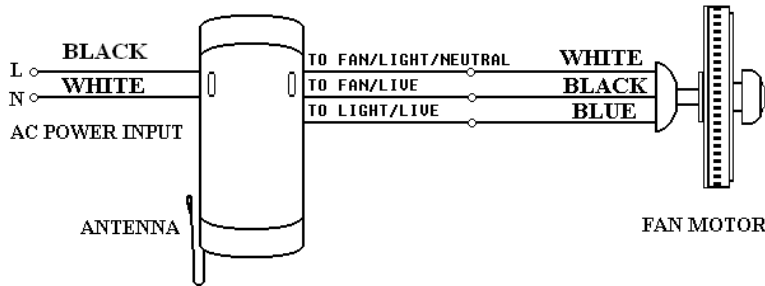
1. Codes have been preset at the factory. We recommend changing the codes for your installation. Codes are set by pushing dip switches up or down. The codes on both the transmitter and receiver must be exactly the same; otherwise the remote will not work properly.
2. NOTE: if you have more than one fan + remote in one area, be sure to set two different codes for each set of transmitter/receivers to allow independent operation of each ceiling fan.
3. Install one 9 Volt battery in the transmitter housing (not included).



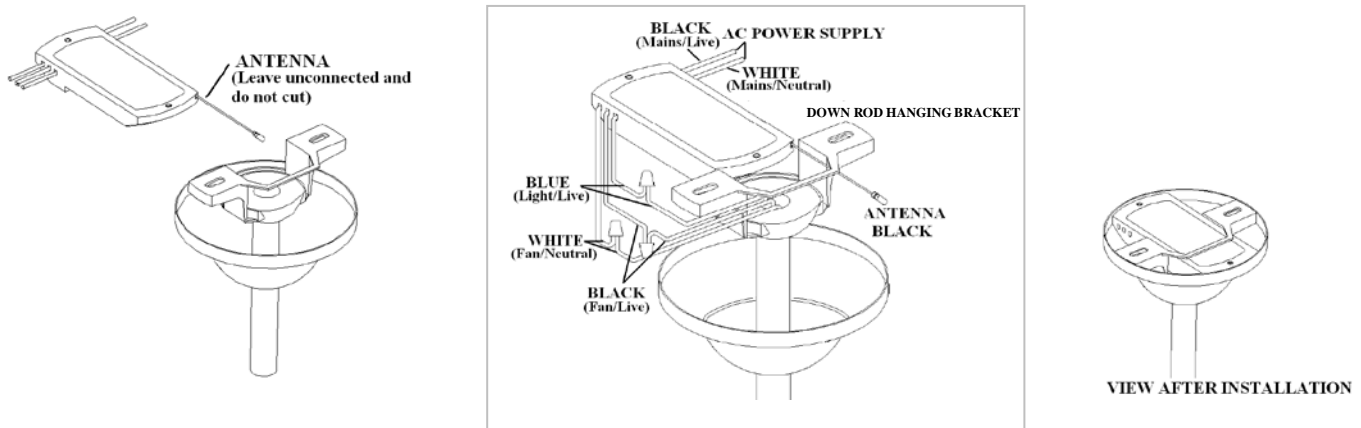
INSTALLATION INSTRUCTIONS

CAUTION: INCORRECT WIRE CONNECTION WILL DAMAGE THIS RECEIVER.

1. The ceiling fan must be set at HIGH speed and light kit (if any) must be in the ON position by pressing the “ON/OFF” after installation.
2. Make electrical connections as see in the illustration below.



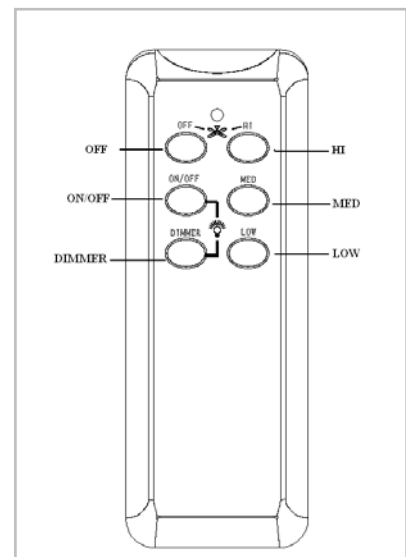
3. Once electrical connections have been made, insert the receiver into the down rod hanging bracket. The canopy will slide up to cover the receiver and bracket.
4. Connect the canopy to the ceiling. Restore the electrical power.



TRANSMITTER FUNCTIONS

- OFF** : Turns the fan OFF
- HI** : Turns the fan ON to high speed
- MED** : Turns the fan ON to medium speed
- LOW** : Turns the fan ON to low speed
- ON/OFF** : Turns the light ON or OFF by pressing and releasing the button quickly
- DIMMER**: Dims or brightens the light by pressing and holding button (incandescent only).

TRANSMITTER



TRANSMITTER WALL BRACKET

Install the transmitter wall bracket with the two screws provided.

